

Monthly Maintenance Newsletter



Peacock Salt

End of Season

It is important during the summer period we take the opportunity to maintain your saturator and ensure it is still periodically running. This will protect your pump and other critical parts during the summer months. It will ensure when the winter service is carried out, there will be no new issues to resolve.

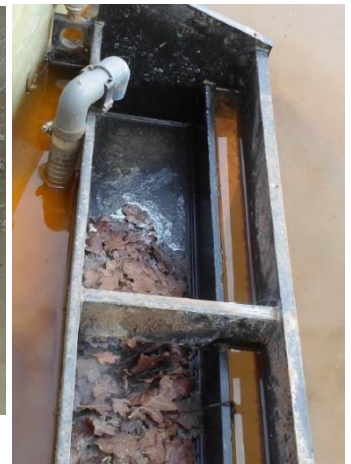
Summer service

- Check all the saturator pipework for any damage or leaks & repair
- Clean out salt hopper and dilution tank
- Clean out motor and pump vanes thoroughly
- Remove hatch and inspect brine storage tank, removing any debris
- Check 3-way valve function and rotate to stir tank
- Check salinity sensor functioning
- Switch to position '3' stir tank contents. This will turn the pump on and circulate brine for 30 minutes every 48 hours
- Complete summer shutdown checklist

Inspect & repair pipework



Empty salt hopper & dilution tank





Clean out motor and pump

8.3 Removing salt crystals for pumps with plastic lanterns (AK version)

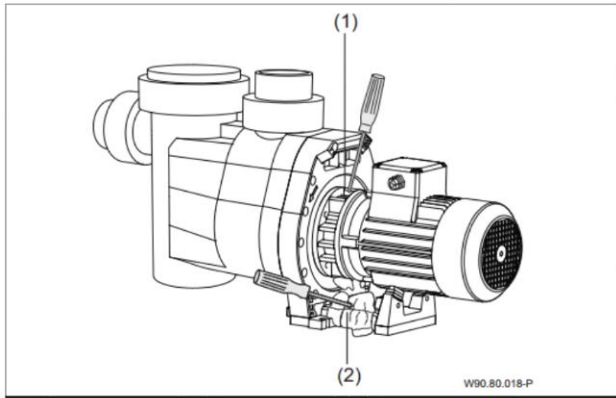


Fig. 4

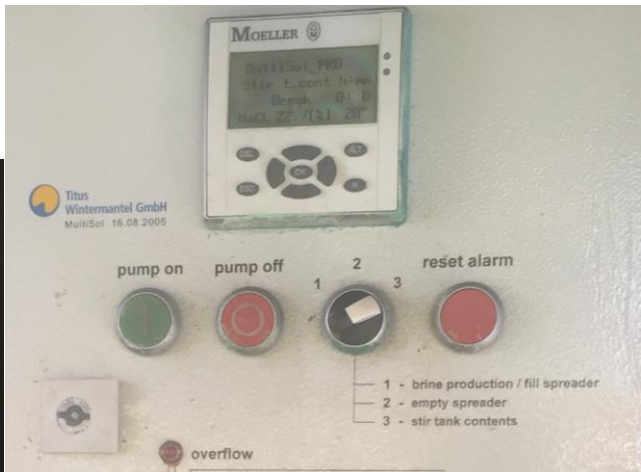
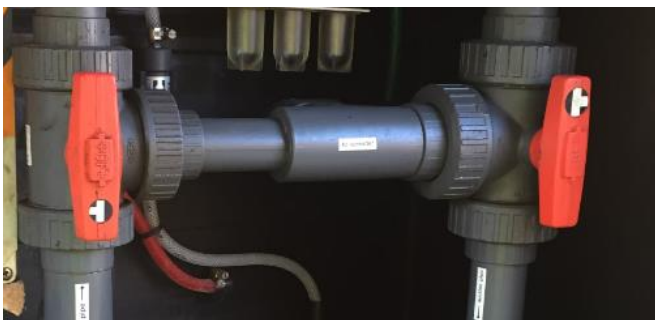
1. Disconnect system from the power supply.
2. Carefully remove the salt crystals from between the ridges on the lantern (1) from above using a screwdriver.
3. Remove falling salt crust from the motor base (2).
4. Ensure that the motor shaft is completely free of salt crystals and is visible.
5. Turn the motor shaft on the fan side using a screwdriver. The motor shaft must be easy to turn.
6. Reconnect to the power supply.

Check 3-way valve operation

Inspect storage tank



Leave in stir tank contents



If you would like more information on a summer service

Please contact: chris.verner@peacocksalt.co.uk